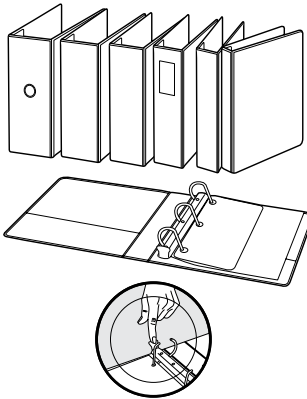




D-RING REFERENCE BINDERS

(Active Use)

EASYOPEN® Locking D-Ring Binders



- Opens and closes with just the touch of one finger
- "Ease-of-Use" Commendation from Arthritis Foundation
- No more pinched fingers
- Lock engages instantly when closed, eliminating the two-step and two-handed operation
- No scratched desks or bookshelves from triggers that don't close up
- Holds 25% more sheets than standard round ring binder
- Contrasting black lining provides professional look
- Horizontal pockets inside front and back covers
- Flat poly sheet lifter included
- Recycled content: 44% by material weight
- Finger hole in 5" for easy shelf removal



ITEM NUMBER	ID NO 83086 UPC	COLOR	CTN WT LBS	CTN CUBE	CTN QTY	MIN ORD QTY	U O M
1" CAPACITY, 8½" X 11" SHEET SIZE (W X H)							
18712	18712 4	Black	14.3	1.0	12	12	EA
18713	18713 1	Navy	14.3	1.0	12	12	EA
18716	18716 2	Burgundy	14.3	1.0	12	12	EA
18717	18717 9	Medium Blue	14.3	1.0	12	12	EA
18718	18718 6	Red	14.3	1.0	12	12	EA
1½" CAPACITY, 8½" X 11" SHEET SIZE (W X H)							
18722	18722 3	Black	15.3	1.1	12	12	EA
18723	18723 0	Navy	15.3	1.1	12	12	EA
18726	18726 1	Burgundy	15.3	1.1	12	12	EA
18727	18727 8	Medium Blue	15.3	1.1	12	12	EA
18728	18728 5	Red	15.3	1.1	12	12	EA
2" CAPACITY, 8½" X 11" SHEET SIZE (W X H)							
18732	18732 2	Black	18.7	1.8	12	12	EA
18733	18733 9	Navy	18.7	1.8	12	12	EA
18736	18736 0	Burgundy	18.7	1.8	12	12	EA
18737	18737 7	Medium Blue	18.7	1.8	12	12	EA
18738	18738 4	Red	18.7	1.8	12	12	EA
3" CAPACITY, 8½" X 11" SHEET SIZE (W X H)							
18742	18742 1	Black	11.7	1.1	6	6	EA
18743	18743 8	Navy	11.7	1.1	6	6	EA
18746	18746 9	Burgundy	11.7	1.1	6	6	EA
18747	18747 6	Medium Blue	11.7	1.1	6	6	EA
18748	18748 3	Red	11.7	1.1	6	6	EA
4" CAPACITY, 8½" X 11" SHEET SIZE (W X H)							
18752	18752 0	Black	13.8	1.2	6	6	EA
18753	18753 7	Navy	13.8	1.2	6	6	EA
18756	18756 8	Burgundy	13.8	1.2	6	6	EA
18757	18757 5	Medium Blue	13.8	1.2	6	6	EA
18758	18758 2	Red	13.8	1.2	6	6	EA

(continued on next column)

EASYOPEN® Locking D-Ring Binders (continued)

ITEM NUMBER	ID NO 83086 UPC	COLOR	CTN WT LBS	CTN CUBE	CTN QTY	MIN ORD QTY	U O M
5" CAPACITY, 8½" X 11" SHEET SIZE (W X H)							
18762	18762 9	Black	5.8	0.5	2	2	EA
18763	18763 6	Navy	5.8	0.5	2	2	EA
18766	18766 7	Burgundy	5.8	0.5	2	2	EA
18767	18767 4	Medium Blue	5.8	0.5	2	2	EA
18768	18768 1	Red	5.8	0.5	2	2	EA
BINDERS W/LABEL HOLDER, 8½" X 11" SHEET SIZE (W X H)							
18711	18711 7	1", Black	14.3	1.0	12	12	EA
18721	18721 6	1½", Black	15.3	1.3	12	12	EA
18731	18731 5	2", Black	18.7	1.8	12	12	EA
18741	18741 4	3", Black	11.7	1.1	6	6	EA
18751	18751 3	4", Black	13.8	1.2	6	6	EA
18761	18761 2	5", Black	5.8	0.5	2	2	EA