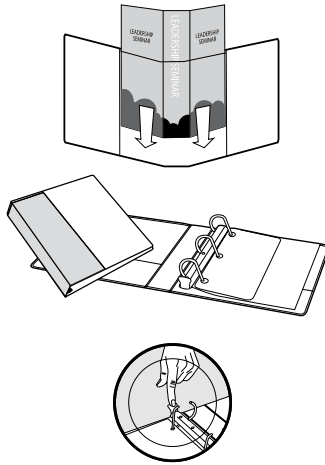




## D-RING PRESENTATION BINDERS

### EASYOPEN® SPINEVUE® Slant-D® Ring Binders



- Opens and closes with just the touch of one finger
- "Ease-of-Use" Commendation from the Arthritis Foundation
- Exclusive wrap-around clear overlay holds standard 8½" x 11" sheets
- Easy to customize for presentations or filing, no trimming or fumbling with small spine inserts or separate cover inserts as needed for standard overlay binders.
- FREE online templates available at [www.cardinalbrands.com](http://www.cardinalbrands.com)
- Holds 25% more than conventional round ring binders
- Lock engages instantly when closed, eliminating the two-step and two-handed operation
- Horizontal pockets inside front and back covers
- Flat poly sheet lifter included
- Recycled content: 45% by material weight



U.S. Patent #5,720,564

ITEM NUMBER	ID NO 83086 UPC	COLOR	CTN WT LBS	CTN CUBE	CTN QTY	MIN ORD QTY	U O M
<b>1" CAPACITY, 8½" X 11" SHEET SIZE (W X H)</b>							
19101	19101 5	Black	13	0.9	12	12	EA
19103	19103 9	White	13	0.9	12	12	EA
<b>1½" CAPACITY, 8½" X 11" SHEET SIZE (W X H)</b>							
19111	19111 4	Black	16	1.2	12	12	EA
19113	19113 8	White	16	1.2	12	12	EA
<b>2" CAPACITY, 8½" X 11" SHEET SIZE (W X H)</b>							
19121	19121 3	Black	17	1.8	12	12	EA
19123	19123 7	White	17	1.8	12	12	EA