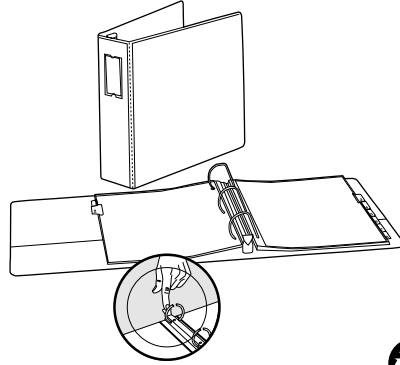




D-RING REFERENCE BINDERS (Heavy-duty, Active Use)

EASYOPEN® EXTRA WIDE Slant-D® Ring Binders



- Extra wide covers allow you to index items in sheet protectors
- No-pinch ring opens, closes and locks with one touch
- “Ease-of-Use” Commendation from the Arthritis Foundation
- Slant-D® rings hold 25% more than standard round ring
- Label holders on every binder
- Recycled content 45% by material weight
- Sheet lifter included



ITEM NUMBER	ID NO 83086 UPC	COLOR	CTN WT LBS	CTN CUBE	CTN QTY	MIN ORD QTY	U O M
1" CAPACITY, 9 3/4" X 11" SHEET SIZE (W X H)							
18511	18511 3	Black	15.2	0.9	12	12	EA
1 1/2" CAPACITY, 9 3/4" X 11" SHEET SIZE (W X H)							
18521	18521 2	Black	17.2	1.4	12	12	EA
2" CAPACITY, 9 3/4" X 11" SHEET SIZE (W X H)							
18531	18531 1	Black	18.6	1.8	12	12	EA
3" CAPACITY, 9 3/4" X 11" SHEET SIZE (W X H)							
18541	18541 0	Black	12.4	1.3	6	6	EA